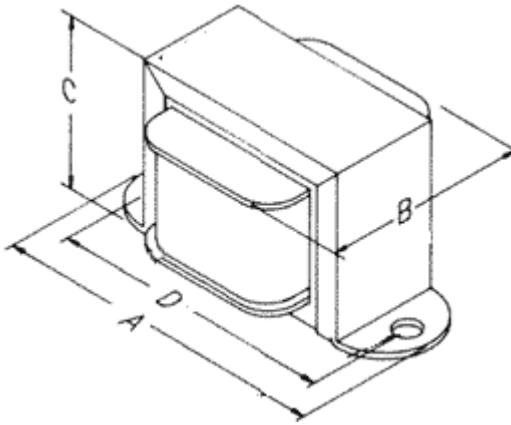
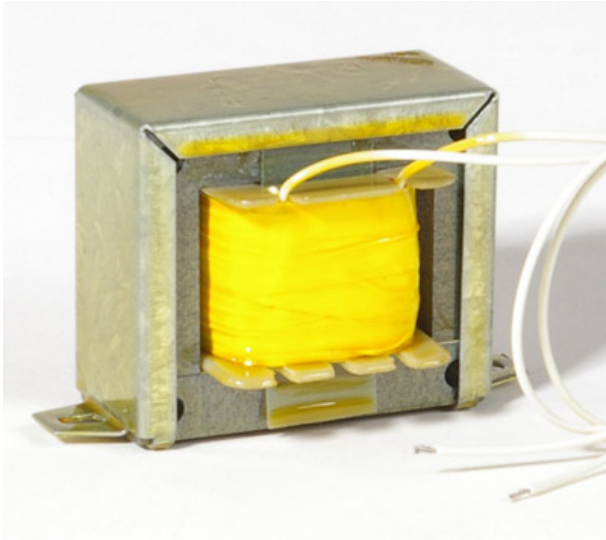




CHOKE CM11



- A: 95mm
- B: 50mm
- C: 62mm
- D: 80mm

Choke mod.	Ind. Henrys	DC Current	Resistance	Max V DC	Replacement
CM11	10H	125mA	220ohm	500	

Dimensions (HxWxD):	Weight (Kg):	Mount:
---------------------	--------------	--------

NOTE: